

# KOMATSU®

## FD200-7 FD250-7

### RATED OUTPUT

FD200-7 Gross: 129 kW 173 HP / 2200 min<sup>-1</sup>

Net: 122 kW 164 HP / 2200 min<sup>-1</sup>

FD250-7 Gross: 165 kW 221 HP / 2200 min<sup>-1</sup>

Net: 154 kW 207 HP / 2200 min<sup>-1</sup>

### CAPACITY

20000 - 25000 kg

**FD**  
**250**



Photos may include optional equipment.

DIESEL FORKLIFT TRUCKS

# WALK-AROUND

## ***Productivity***

- High Performance Komatsu Engine
- Heavy Duty Brakes
- Automatic Transmission
- Large Fuel Tank
- Three Independent Hydraulic Circuits

See pages 4.

## ***Serviceability & Reliability***

- Excellent Serviceability
- Engineered for Reliability

See page 6.

## ***Safety & Comfort***

- Comfortable Cab Design
- Pillar-less Cab
- Operator Presence Sensing System

See page 5.

## ***Information & Communication Technology***

- Komatsu Machine Tracking System

See page 6.



**RATED OUTPUT**

FD200-7

Gross: 129 kW 173 HP / 2200 min<sup>-1</sup>

Net: 122 kW 164 HP / 2200 min<sup>-1</sup>

FD250-7

Gross: 165 kW 221 HP / 2200 min<sup>-1</sup>

Net: 154 kW 207 HP / 2200 min<sup>-1</sup>

**CAPACITY**

20000 - 25000 kg



## PRODUCTIVITY

Komatsu develops and produces major components such as engines and engine controllers in house. Since the engine and the truck work in harmony with “Komatsu Technology”, FD200/250-7 achieves high levels of productivity.

### High Performance Komatsu Engine

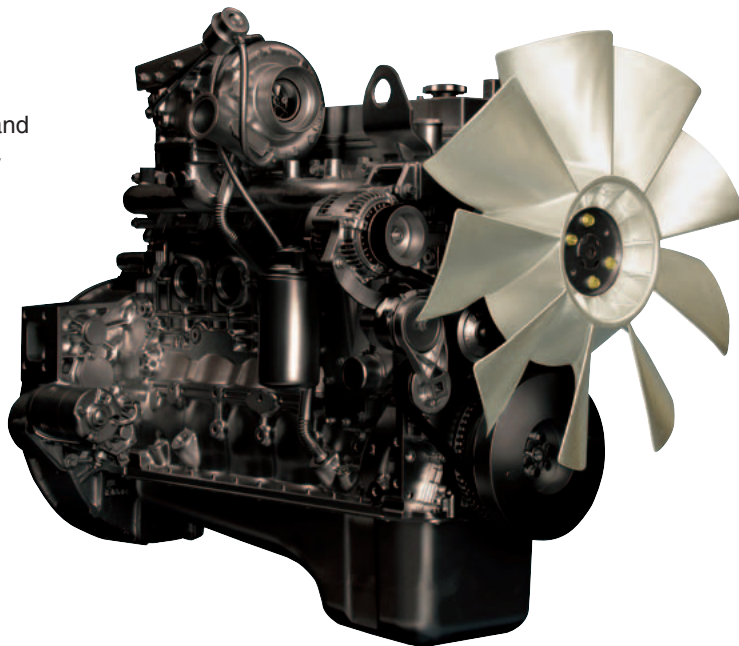
FD200/250-7 is powered by the Komatsu SAA6D107E-1 engine with 6-cylinders and 6.7liter displacement. This engine is also used in Komatsu construction machinery, and its durability is field-proven. The Komatsu engine is highly efficient and environment-friendly, and brings out the greatest performance of the truck.

### Low Emissions

The Komatsu SAA6D107E-1 engine is designed to meet U.S. EPA Tier 3 and EU Stage 3A emission regulations, which require 40% less NOx + HC (Hydrocarbon) emissions compared to the second stage regulations.

### Fuel Economy

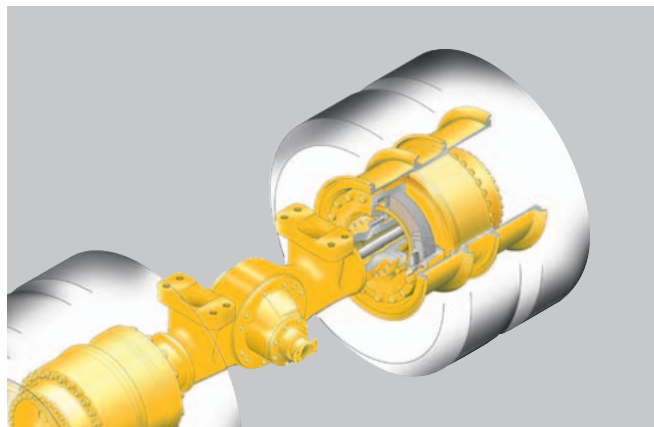
Komatsu original High Pressure Common Rail (HPCR) fuel injection system with an electronic controller optimizes fuel combustion, realizes fuel economy and low emissions.



**HIGH POWER CLEAN DIESEL ENGINE  
SAA6D107E**

### Heavy Duty Brakes

Sealed wet disc brakes with independent and large capacity brake oil cooler realize superior overheating resistance. The brake performance is consistent even in harsh applications. Brake discs are sealed and protected from water, dust, and debris, therefore its service life is longer and it is highly reliable.



Sealed wet disc brakes

### Automatic Transmission

4-speed automatic transmission is equipped as standard. A suitable gear is automatically selected accordingly to the travel speed. The operator is freed from frequent gear changes, and the acceleration is smooth from gear to gear.

\*4-Speed manual transmission is also available as an option

### Large Fuel Tank

Large fuel tank enables non-stop multi-shift operation. Its capacity is 400L for FD200-7 and 600L for FD250-7. Less refueling stops means more uptime and increases productivity.

### Three Independent Hydraulic Circuits

Hydraulic circuits are independent for the lifting, steering and brakes. They are individually driven by three pumps, therefore lifting while steering is very smooth.



# SAFETY & COMFORT



## Comfortable Cab Design

Variety of features are incorporated into the cab to enhance operator's work place comfort.

### Suspension Seat

Suspension seat with armrests is equipped. Fore-aft, seat height, lumbar support and weight adjustments are provided.

### Air Conditioner

Air conditioner has three outlet ducts, located on the front right, left and rear of the cab. Climate-controlled air is lead to the operator from all directions.

### Full-floating Cab

Four rubber mounts insulate the cab from the chassis, thus the operator is not directly exposed to the engine vibrations.

### Large Handrails

Large handrails provide firm grips for the operator, and wide steps enable easy entry and exit of the truck.

## Operator Presence Sensing System

Operator Presence Sensing system allows traveling or lifting only when the operator is properly positioned in the operator's seat. If the operator is off from the position while traveling or lifting, traction power is disengaged\*, control levers are locked, and an alarm buzzer sets off.

\* Traction power is disengaged but brakes are not automatically applied.

## Pillar-less Cab

All four corners of the cab are pillar-less and enables non-obstructed views. The superb all-around views enhance safety of operation.

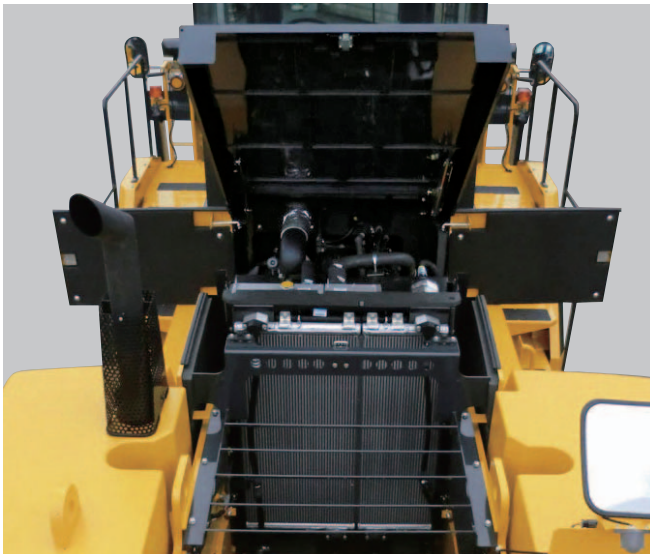


# SERVICEABILITY & RELIABILITY

## Excellent Serviceability

### Easy Access

It is easy to access internal components from the top hood and side covers. The top hood is gas spring assisted and it can be opened and closed easily. Side covers are fitted with latches so that they do not close unintentionally. Serviceability is excellent and routine checks can be done easily.



### Additional Fuel Pre-filter with Water Separator

Fuel pre-filter with water separator is equipped in addition to the main fuel filter to ensure water and contaminants are removed. The engine and the fuel injection systems are well protected.

## Engineered for Reliability

FD200/250-7 incorporates various components that are also used in Komatsu construction machinery. With “Komatsu Technology”, the truck achieves high level of reliability.

### High Cooling Capacity

The cooling system incorporates large capacity radiator and after-cooler. In addition, individual oil coolers are provided for hydraulic, brake and torque converter oil lines. High cooling capacity enables superb overheat resistance.

### Sealed Connectors for Electrics

Water tight and dust resistant sealed connectors are incorporated to the connections between major harnesses and controllers. The sealed connectors are widely used in Komatsu construction machinery and their reliability is well proven in the field.



Sealed connector

### Hydraulic Connections with O-ring Seals

Hydraulic connectors in the truck are flat face-to-face O-ring seal type, which provides secure seal to prevent oil leakage. They are also widely used in Komatsu construction machinery and their reliability is field proven.

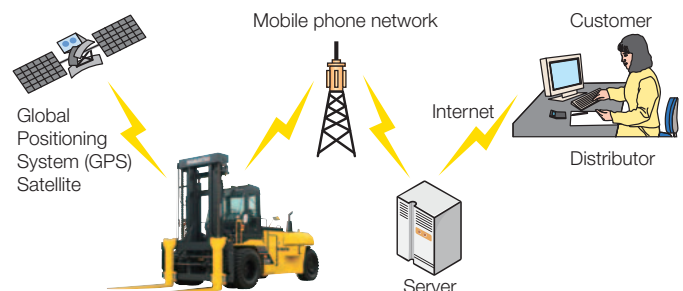


Hydraulic connections with o-ring seals

# INFORMATION & COMMUNICATION TECHNOLOGY

## Komatsu Machine Tracking System

KOMTRAX\* sends machine information via mobile phone network and stores them in a Komatsu server. It allows you to analyze the machine utilization, grasp the fuel consumption, schedule the maintenance, and more. KOMTRAX helps you to keep your machine operating at a peak performance and reduces your operating costs.



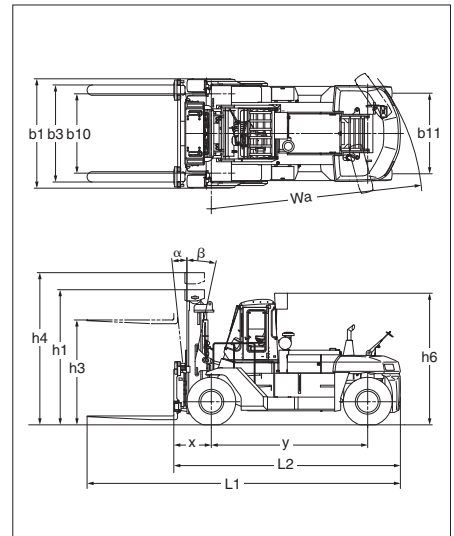
\* KOMTRAX is available for limited countries and regions. Please check with Komatsu representatives for availability of KOMTRAX in your area.

# SPECIFICATIONS

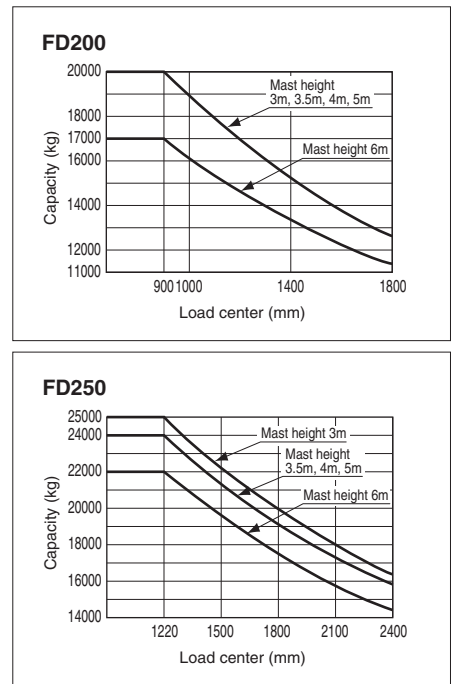
## SPECIFICATIONS

Characteristics		Manufacturer's Designation		FD200-7	FD250-7
1.2	Model			FD200-7	FD250-7
1.3	Power Type	Electric, Diesel, Gasoline, LPG, Cable		Diesel	Diesel
1.4	Operation Type			Sitting	Sitting
1.5	Rated Capacity	Q	Rated Capacity	kg 20000 [16600]	25000
1.6	Load Center	c	Rated Load Center	mm 900 [1220]	1220
1.8	Load Distance	x	Front Axle Center to Fork Face	mm 925 [1025]	955 [1060]
1.9	Wheelbase	y		mm 3700	4400
Weight				kg 27670 [28500]	32850 [33500]
2.1	Service Weight				
2.2	Axle Loading	Loaded	Front	kg 43715	53100
2.2.1			Rear	kg 3955	4750
2.3		Unloaded	Front	kg 13850	15755
2.3.1			Rear	kg 13820	17095
Tires				Pneumatic	Pneumatic
3.1	Tire Type				
3.2	Tire Size	Front		14.00-24-20PR	14.00-24-24PR
3.3		Rear		14.00-24-20PR	14.00-24-24PR
3.5	Number of Wheel	Front/Rear (x=driven)		4x/2	4x/2
3.6	Tread, Front	b10		mm 2230	2230
3.7	Tread, Rear	b11		mm 2265	2265
Dimensions					
4.1	Tilting Angle	a / b	Forward/Backward	degree 6/12	6/12
4.2	Mast Height, Lowered	h1	2-stage Mast	mm 3640	3800
4.3	Std. Free Lift	h2	2-stage Std. Mast, from Ground	mm 0	0
4.4	Std. Lift Height	h3	2-stage Std. Mast, from Ground	mm 3000	3000
4.5	Mast Height, Extended	h4	2-stage Std. Mast	mm 5130	5290
4.7	Height, Overhead Guard	h6		mm 3705	3705
4.19	Length, with Std. Forks	L1		mm 7205 [7905]	8695 [8800]
4.20	Length, to Fork Face	L2		mm 5385 [5485]	6275 [6380]
4.21	Width, at Tire	b1		mm 3095	3095
4.22	Forks	s/e/l	Thickness x Width x Length	mm 95 x 280 x 1820 [100 x 280 x 2420]	107 x 310 x 2420 [107 x 310 x 2420]
4.24	Width, Fork Carriage	b3		mm 2500 [2730]	2500 [2760]
4.31	Ground Clearance	m1	Under Mast	mm 325	305
4.32		m2	at Center of Wheelbase	mm 400	395
4.33	Right Angle Stacking Aisle*	Ast	plus load length	mm 6175 [6275]	6805 [6910]
4.35	Turning Radius	Wa		mm 5250	5850
Performance					
5.1	Travel Speed (FWD)	Loaded		km/h 17	24
		Unloaded		km/h 28	32
5.2	Lifting Speed	Loaded		mm/s 270	275
		Unloaded		mm/s 295	285
5.3	Lowering Speed	Loaded		mm/s 350	350
		Unloaded		mm/s 350	350
5.6	Max. Drawbar Pull	Loaded 1.5 km/h, 3 min rating		kN 80	103
5.8	Max. Gradeability	Loaded 1.5 km/h, 3 min rating		% 17	18
5.10	Service Brake	Operation/Type		Foot/Wet Disc Brake	Foot/Wet Disc Brake
5.11	Parking Brake	Operation/Control		Hand/Mechanical	Hand/Mechanical
5.12	Steering	Type		Power Steering	Power Steering
6.4	Battery	Voltage/Capacity at 5-hour rating		V/Ah 24/88	24/88
I.C Engine					
7.1	Make			KOMATSU	KOMATSU
		Model		SAA6D107E-1	SAA6D107E-1
7.2	Rated Output, SAE net			kW 122	154
7.3	Rated RPM			min <sup>-1</sup> 2200	2200
7.3.1	Max. Torque, SAE net			Nm/min <sup>-1</sup> 575/1600	931/1500
7.4	No. of Cylinder/Displacement			cm <sup>3</sup> 6/6690	6/6690
7.6	Fuel Tank Capacity			L 400	600
Others					
8.2	Relief Pressure for Attachment			Mpa 20.6	20.6
8.2.1	Hydraulic tank Capacity			L 324	475
8.7	Transmission			TORQFLOW	TORQFLOW

## DIMENSIONS



## LOAD CAPACITY CURVE



\* : Right Angle Stacking Aisle does not include any operational clearance. [ ] : Value of hydraulic fork positioner with side shift function

## MAXIMUM LOAD AND OVERALL HEIGHT OF MAST BY LIFTING HEIGHT

### 2-stage free view mast

maximum fork height (mm)	model	Load capacity (kg)		Overall height [Lowered / Extended] (mm)	
		FD200-7 (load center 900 mm)	FD250-7 (load center 1220 mm)	FD200-7	FD250-7
3000		20000	25000	3640/5150	3800/5310
3500		20000	24000	3890/5650	4050/5810
4000		20000	24000	4140/6150	4300/6310
5000		20000	24000	4840/7350	5000/7510
6000		17000	22000	5340/8350	5500/8510



## STANDARD EQUIPMENT

- Komatsu SAA6D107E-1 diesel engine (U.S. EPA Tier 3 and EU Stage 3A emission compliant)
- HPCR fuel injection system
- Electronic engine control system
- 4-Speed automatic transmission
- Heavy-duty wet disc brakes with independent oil cooler
- Fully hydrostatic power steering
- Upward exhaust pipe
- Cyclone air cleaner (double element) with rain cap
- Additional fuel pre-filter with water separator
- Steel cab
- Air conditioner
- Operator's seat with suspension and armrests (reclining, height adjust, fore-aft adjust, lumbar support adjust and weight adjust)
- Operator Presence Sensing System
- Tilttable steering column
- Standard directional lever (left)
- Combination switch (turn signal lamp & lamp switch)
- Speedometer
- Hour meter (service meter)
- Engine coolant temperature gauge
- Fuel gauge
- Torque converter oil temperature gauge
- Battery charge circuit caution lamp
- Air cleaner element warning lamp
- Coolant level warning lamp
- Parking brake pilot lamp
- Engine warning lamp
- Central warning lamp
- Neutral pilot lamp
- Lifting interlock caution lamp
- Headlamps (with Hi-Lo beams)
- Turn signal lamps
- Rear combination lamps
- Back-up buzzer
- Rear view mirrors
- Rear under mirror
- Fuel tank level gauge (truck side)
- Hydraulic oil tank level gauge (truck side)
- Fuel cap with key

### Tire:

- Front double tires, pneumatic
- Rear single tire, pneumatic

### Attachment:

- Manual type fork positioner

### Fork:

- 1820 mm (standard for FD200-7)
- 2420 mm (standard for FD250-7)

## OPTIONAL EQUIPMENT

- Overhead guard specification
- Canvas cab
- Front glass with wiper
- Front glass without wiper
- Heater & defroster
- Overhead guard cover
- 4-Speed manual transmission
- Cyclone air cleaner (double element) with pre-cleaner
- Directional lever (right)
- Flash beacon (yellow, red)
- Two front working lamps (fender)
- Working lamps (2 on mast, 2 on counterweight)
- One rear working lamp on counterweight
- Two rear working lamps on counterweight
- Back-up buzzer (large sound)
- Tilt cylinder boots
- Power steering cylinder boots
- Rear under mirrors (2pc)
- Centralized grease piping (mast, rear axle)
- Tool kit
- Additional control valves and levers for attachments

### Attachment:

- Hydraulic fork positioner with side shift function

### Fork:

- 2420 mm (option for FD200-7)
- Cold district spec (-30°C)
- Sandy/dusty environment spec (90 A brushless alternator, tilt cylinder boots, power steering cylinder boots)



FD200-7



FD250-7

[www.komatsu.com](http://www.komatsu.com)

Printed in Japan 201604 IP.SIN

**KOMATSU**<sup>®</sup>

CEN00716-00

Materials and specifications are subject to change without notice  
**KOMATSU** is a trademark of Komatsu Ltd. Japan